

38 001 668



Wash place specifications

- Basin Ø mm
- No overflow
- Spout cannot be closed off
- White glazed steel surface
- Outlet cover, white
- Frame and siphon cover, matt black powder-coated
- Glass shelf
- Dimensions 600 x 547 x 360 mm
- Weight 25 kg

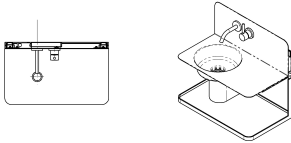
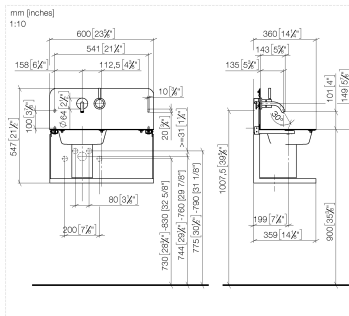
Fittings specifications

- 135mm projection
- Matt black finish (-33)
- fixed spout
- circular, air-enriched flow
- rosette for spout Ø 64mm
- rosette for mixer Ø 64 mm
- max. flow 4.5 l/min
- lead-free
- 2 x pressure hose with 3/8" cap nut

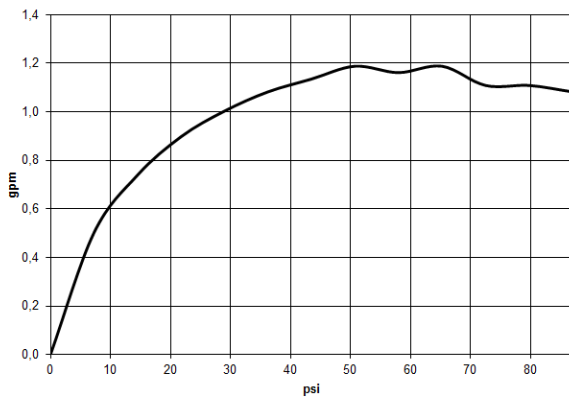
Note: Please observe local regulations when arranging angle valves inside vs. outside the trap cover.

Without dowels (to adapt the structural situation)

38 001 668



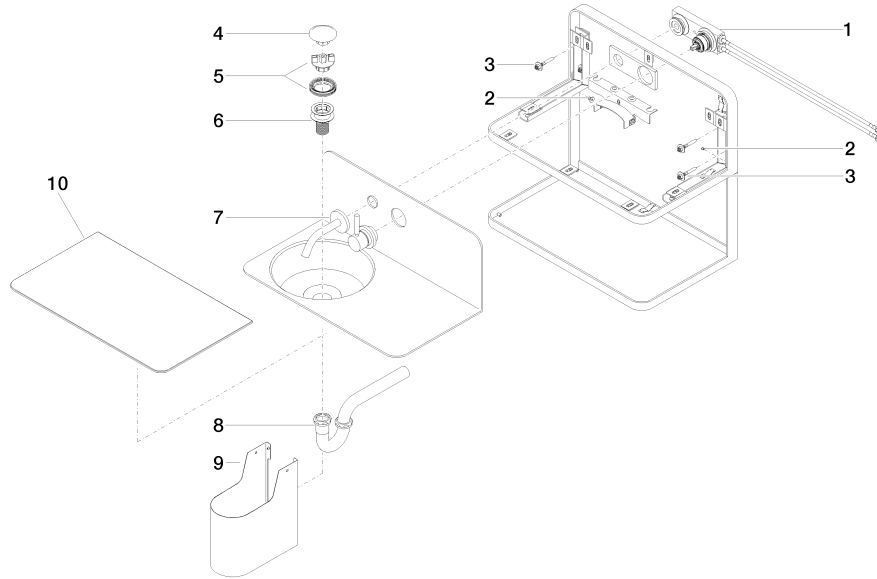
Flow rate chart



Certificates

IAPMO_7899.

38 001 668



Spare parts list

No.	Item Number	Name	Quantity used	Delivery time
1	35 817 970-90 0010	pre-installation	1	60
2	90 23 10 002 00 90	fixing set	1	2
3	90 23 10 001 00 90	fixing set	1	2
4	90 11 01 027 00-12	lid	1	30
5	90 14 03 001 00 90	gasket kit	1	2
6	90 11 01 007 00 90	valve	1	2
7	36 811 668-33 0010	fitting	1	60
8	90 28 23 002 00 90	pipings	1	2
9	90 11 01 028 00 90	cover	1	2
10	90 10 01 239 00 90	shelf	1	2